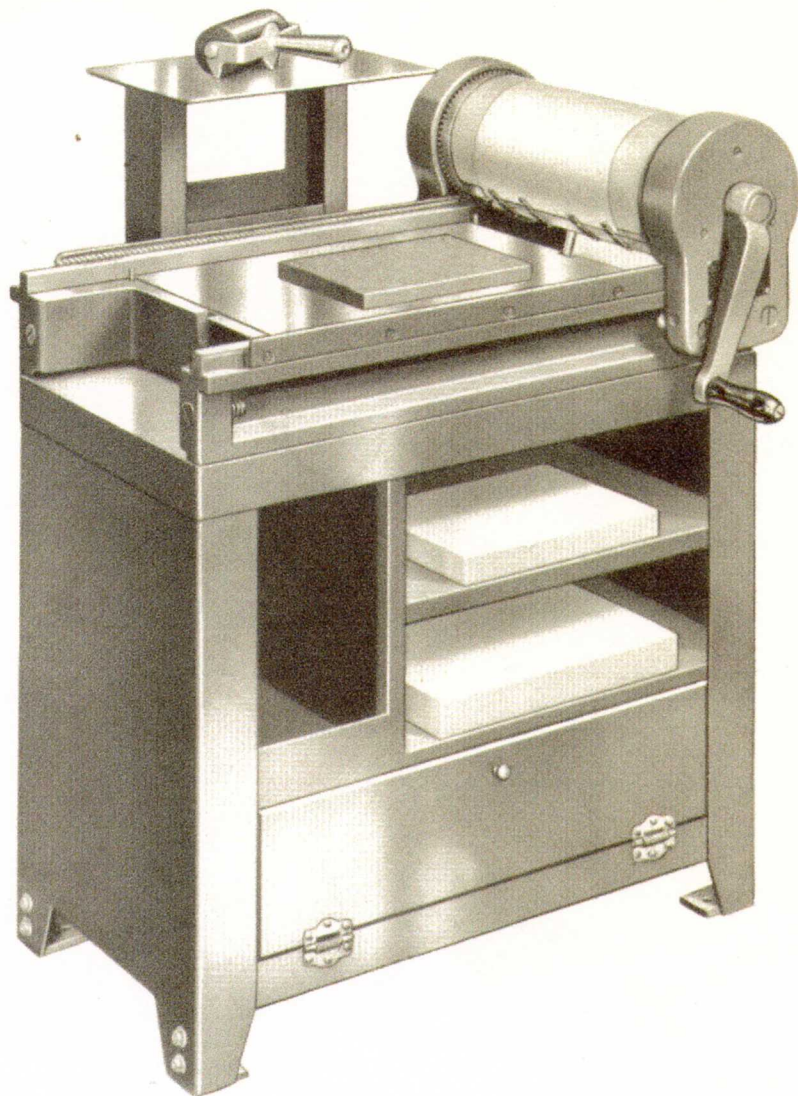


Vandercook 1 Proof Press



A low cost precision proof press, equipped with automatic cylinder grippers. Though hand inked, it is capable of producing proofs of good quality. Forms may be proved in galleys or without, since the machine is equipped with a removable galley thickness bed plate.

An ideal machine for small printers, or as auxiliary equipment in large plants where hand inking is sufficient. The Vandercook 1 is also a popular machine for schools. Its more important features include the following:

- *Double cylinder grippers—so that sheet may be fed and removed at both ends of bed.*
- *Full precision ball bearing construction—making rigid impression setting possible.*

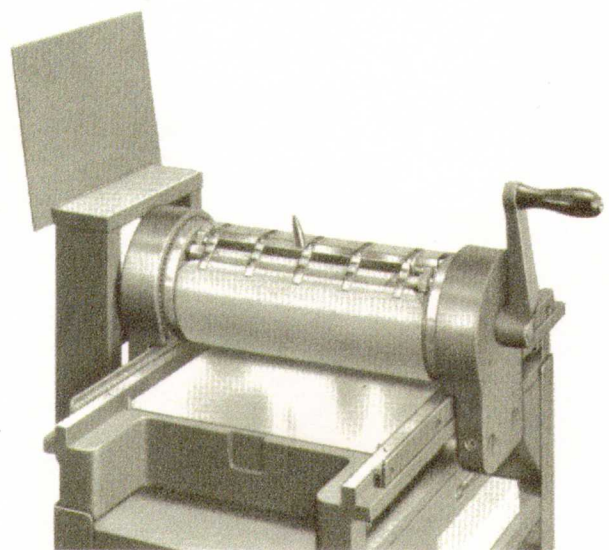
- *Cylinder is set down on bearers with 3000 Lbs. pressure.*
- *Two accessible reel rods simplify changing and securing packing.*
- *Completely guarded cylinder gears.*
- *Heavy steel cabinet with adjustable feet for leveling. Lower storage shelf has hinged door.*

SPECIFICATIONS

Bed Size 16" x 21" . . . Maximum Sheet 15 $\frac{3}{4}$ " x 19" . . .
Maximum Form 15" x 17 $\frac{1}{4}$ " . . . Floor Space 2' 4" x 2' 8"
. . . Net Weight 410 Lbs. . . Crated Weight 550 Lbs. . .
Packed for Export 640 Lbs., 36 cu. ft. . . Finished in
machine tool gray.

FOR PRICES, STANDARD AND OPTIONAL EQUIPMENT—SEE OTHER SIDE

Vandercook 1 Hand Proof Press



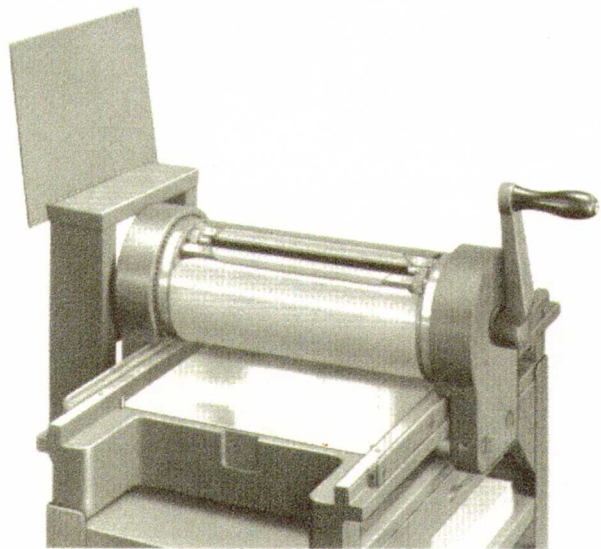
STANDARD EQUIPMENT: Galley Thickness Bed Plate . . . Double Cylinder Grippers . . . Steel Cabinet . . . Ink Plate . . . 6" Handy Brayer Frame with bare core. . . Tympan including Blanket . . . 12 Extra Die Cut Drawsheets . . . 12 Extra Die Cut Undersheets . . . Lockup Pins . . . Two Head Dead Line Bars . . . Necessary Tools.

Vandercook 1 Proof Press
with Standard Equipment listed above \$ 815.00

OPTIONAL EQUIPMENT

- Covered Roller for Handy Brayer, synthetic rubber, (2½" x 6") including core. \$ 11.50
- Covered Roller for Handy Brayer, glue composition, (2½" x 6") including core. 3.85
- Dust Cover. 3.50

DOUBLE CYLINDER GRIPPERS—This permits sheets to be fed at either end of the press. As the gripper trip engages a slot in the bed, grippers are opened to take the sheet. For register work, the sheet is fed against pins in grippers and side guide secured to packing. Grippers are easily removable without tools.



TWO CONVENIENT REEL RODS—The ink plate swings back to permit easy access to cylinder packing. The two reel rods are conveniently located for securing tympan. There is ample space for binding top sheet. Packing may be changed quickly and easily.

**FOR
SPECIFICATIONS
SEE
REVERSE
SIDE**

All prices are Net f.o.b. Vandercook Chicago plant and subject to change without notice.



VANDERCOOK & SONS, INC.

Eastern Sales and Service
205 W. 34th St., New York 1, N. Y.
Telephone BRyant 9-6270

General Office, Pre-Press School, Demonstration Room & Factory
3601 West Touhy Avenue Chicago 45, Illinois
Telephone ROgers Park 1-2100

Western Sales and Service
3156 Wilshire Blvd., Los Angeles 5, Calif.
Telephone DUNkirk 8-9931